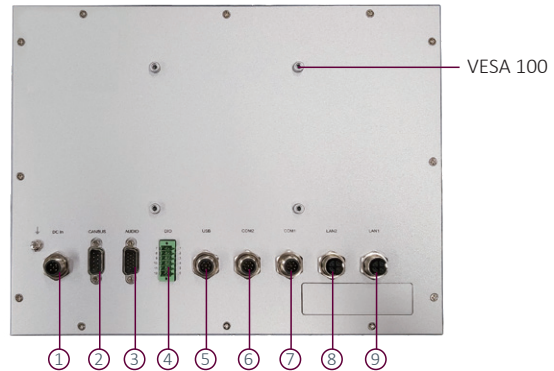


# GOT712S

EN 50155 S3 12.1" XGA TFT LCD Railway Fanless Touchscreen Panel PC with Intel Atom® Processor E3845 1.91 GHz (-40°C to +70°C)



▲ Side view

1. DC power input
2. CAN bus with isolation 1.5 kV
3. Audio (line-in, mic-in, speaker-out or line-out)
4. DIO (6-in/2-out with isolation 1.5 kV)
5. 2 x USB 2.0
6. 1 x RS-232/422/485 with isolation 1.5 kV
7. 1 x RS-232/422/485 with isolation 1.5 kV
8. 1 x GbE with isolation 1.5 kV
9. 1 x GbE with isolation 1.5 kV



Fanless



Wide Temp.



Low Power



M12 Connector



DDR3L



EN 50155

## Features

- Sunlight readable 12.1" XGA TFT LCD with 800 nits of high brightness
- Fanless with Intel Atom® processor E3845 1.91 GHz
- All lockable connectors design
- Auto-dimming for different environments
- Operating temperature ranges from -40°C to +70°C
- Typical 24 to 110 VDC wide power input range, EN 50155 Class S3 20 ms power interruption protection
- EN 50155, EN 45545-2 certified for railway application

## Introduction

The EN 50155 railway touchscreen panel PC, GOT712S, is equipped with a 12.1-inch XGA TFT LCD with high brightness LED backlight (800 nits), which allows a train operator to easily read any operational status messages, even under direct sunlight. Designed for railway application, this all-in-one 12.1" touch panel PC supports various power input from 24 to 110 VDC. This feature-rich panel PC has an IP65-rated front bezel, M12 connectors and EN 50155 certified.

### Wide Temperature (-40°C to +70°C)

The Intel Atom®-based railway panel PC, GOT712S, applies unique extended temperature technology with wide temperature range support as well as fanless operation. It also has a high brightness display and compact design for transport heavyduty environment.



## Introduction

### Designed for Railway Application

The Axiomtek GOT712S is particularly suitable for demanding HMI applications in the railway sector, including tasks like monitoring and controlling speed, temperature, and security, or for fleet management. To ensure the reliable operation in a variety of different locations, the 12.1-inch railway panel PC supports various mounting options: wall mount and VESA mount. Moreover, it is also ready for Windows® 10 IoT, Windows® 10, and 7.

## Specifications

Front Bezel	IP65-rated aluminum front bezel and IP40-rated rear protection	
LCD Panel	Display Type	12.1" XGA TFT LCD
	Brightness (cd/m <sup>2</sup> )	800 nits
	Resolution	1024 x 768
	Viewing Angle (H/V)	160°/160°
Main System	CPU	Intel Atom® processor E3845 1.91 GHz (Bay Trail)
	Chipset	SoC integrated
	System Memory	DDR3L 4GB onboard
	BIOS	AMI
	Storage	1 x mSATA
	Watchdog Timer	255 levels, 1 to 255 sec.
	Onboard Graphics	Integrated in Intel® GFX
I/O Connector	2 x isolated M12 A-coded RS-232/422/485 (isolation level 1.5 kV) 2 x isolated M12 X-coded GbE (isolation level 1.5 kV) 1 x M12 A-coded USB 2.0 (2 port signal) 1 x M12 A-coded DC-in 1 x DB15 audio line-in, mic-in, speaker-out or line-out 1 x isolated terminal block DIO (6-in/2-out, isolation level 1.5 kV) 1 x isolated DB9 CAN bus (isolation level 1.5 kV)	
Expansion Interface	2 x PCI Express Mini Card slot (slot 2 for mSATA use only)	
Touchscreen	5-wire resistive touchscreen	
Power Supply	Typical 24 to 110 VDC EN 50155 S3 20 ms power interruption protection	
Power Consumption	24 to 110 VDC, 1.7 to 0.32 A	
Dimensions (W x D x H)	330 x 61.5 x 245 mm (13" x 2.42" x 9.65") (Excluding connectors and fixation dimensions, please refer to below drawing to get more details)	
Packing Dimensions (W x D x H)	520 x 196 x 552 mm (20.47" x 7.72" x 21.73")	
Weight (net/gross)	2.95 kg (6.5 lbs)/5.35 kg (11.79 lbs)	
Operating Temperature	-40°C to +70°C (-40°F to +158°F)	
Relative Humidity	10% to 95% relative humidity @ +40°C, non-condensing	
Certifications	CE/FCC Class A, EN 50155, EN 50121-3-2, EN 61373, and EN 45545-2	

\* W.T.: Wide Temperature. All W.T. supported products have to be sorted by Axiomtek.

## Ordering Information

GOT712S-R-E3845-24-110VDC (P/N: E22B712102)	12" XGA railway fanless touch panel computer with Intel Atom® E3845, sunlight readable LCD (800 nits), 5-wire resistive touchscreen, and 24 to 110 VDC power input, and S3 20 ms power interruption protection
--	--

\*Specifications and certifications may vary based on different requirements.

## Packing List

1 x GOT712S unit  
1 x phoenix connector



## Optional Accessories

E29R318100	ACC318-501-203	LTE NL668-EAU kit (30)
E29R300103	ACC300-001-203	Wi-Fi 5 QCNFA324 kit
594B8122820E	M12 A-coded USB cable	
594B7102100E	RS-232 cable	
594B7102700E	M12 X-coded LAN cable	
594B7100B00E	M12 DC-in power cable with ACC signal, length 1.8 m	
509000002200	PWS 9NA0908344 FSP 90W AC to DC (24V) adapter with M12 connector	

## Optional EOS Installation

WES 7

Windows® 10 (IoT)

## Optional OS Installation

Windows® 7

Windows® 10

Windows® 10 IoT

## Dimensions

