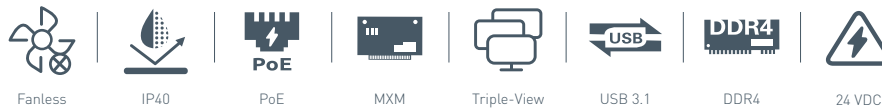
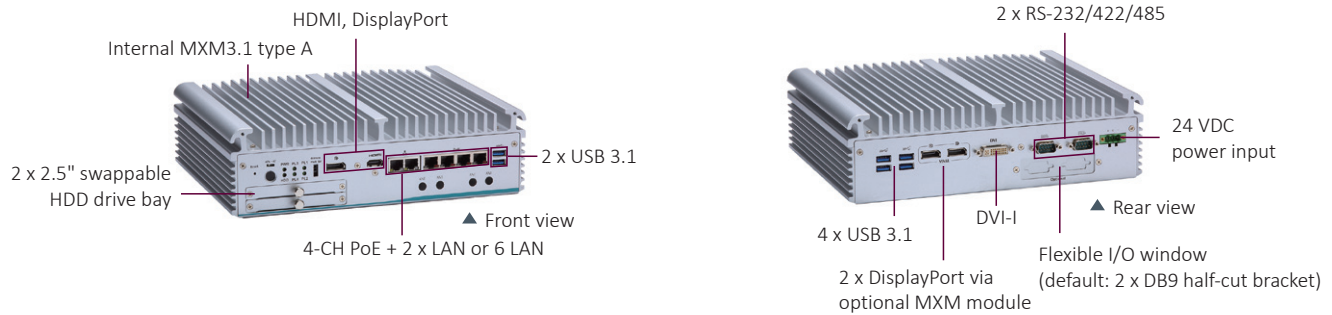


# eBOX671-521-FL

Fanless Embedded System with LGA1151 9th/8th Gen Intel® Core™ i7/i5/i3 or Celeron® Processor, 4-CH PoE, and MXM 3.1 Type A



## Features

- 9th/8th Gen Intel® Core™ i7/i5/i3 or Celeron® processor with Intel® Q370 chipset (Coffee Lake/Coffee Lake Refresh-S)
- 4-CH PoE (IEEE802.3at compliance)
- Dual swappable 2.5" SATA HDD drive bays with RAID 0 & 1
- Supports MXM 3.1 type A graphics module (optional)
- Supports triple-view with DVI-I, HDMI, and DisplayPort
- Optional Intel® C246 supports ECC memory (Intel® Core™ i3 or Celeron® processor)

## Specifications

Standard Color	Silver
Construction	Aluminum extrusion and heavy-duty steel, IP40
CPU	LGA1151 9th Gen Intel® Core™ i7/i5/i3 or Celeron® processor (35W) LGA1151 8th Gen Intel® Core™ i7/i5/i3 or Celeron® processor (35W/65W)
System Memory	2 x 260-pin DDR4-2666 SO-DIMM, up to 64GB (ECC supported by Intel® C246 PCH)
Chipset	Intel® Q370 or Intel® C246 PCH (optional)
BIOS	AMI
System I/O Outlet	2 x RS-232/422/485 2 x DisplayPort via optional MXM kit 1 x HDMI 1 x DisplayPort 1 x DVI-I 4 x power over Ethernet (IEEE802.3at), up to 60W 2 x 10/100/1000 Mbps Ethernet (Intel® I210-IT and I219-LM) 2 x USB 3.1 Gen 2, 4 x USB 3.1 Gen 1 1 x Phoenix-type VDC power input connector 1 x AT/ATX quick switch 1 x ATX power switch 1 x reset switch connector 1 x remote switch 1 x flexible I/O window (default: 2 x DB9 half-cut bracket) 4 x SMA-type antenna connector

## Specifications

Watchdog Timer	255 levels, 1 to 255 sec.
Storage	2 x 2.5" HDD drive bay (up to 9.5 mm height) 1 x mSATA (enabled in BIOS setting)
Expansion Interface	2 x full-size PCI Express Mini Card slot (USB + PCIe signal) 2 x SIM slot 1 x MXM3.1 type A connector
TPM	TPM 2.0
System Indicator	1 x green LED for system power-on 1 x green LED for HDD activity 4 x green LED for programmable
Power Input	24 VDC
Operating Temperature	Without MXM module: -40°C to +60°C (-40°F to +140°F) (with W.T. DRAM & SSD, CPU 35W TDP) -40°C to +50°C (-40°F to +122°F) (with W.T. DRAM & SSD, CPU 65W TDP) With MXM module: -40°C to +50°C (-40°F to +122°F) (with W.T. DRAM & SSD & MXM kit, CPU 35W TDP)
Relative Humidity	10% to 90% relative humidity, non-condensing
Shock Vibration	IEC 60068-2-27 (with SSD: 50G, half-sine, and 11 ms duration)
Vibration Endurance	IEC 60068-2-64 (with SSD: 3Grms STD, random, 5 to 500 Hz, and 1 hr/axis)
Dimensions (W x D x H)	280 x 210 x 80.5 mm (11.02" x 8.26" x 3.16")
Weight (net/gross)	4.8 kg (10.58 lbs)/5.6 kg (12.34 lbs)
Certifications	CE, FCC Class A, and UKCA
EOS Support	Win 10 IoT, Win 11 IoT, and Linux

\* W.T.: Wide Temperature. All W.T. supported products have to be sorted by Axiomtek.

## Ordering Information

### Standard

eBOX671-521-FL-DC-4PoE (P/N: E36K671105)	Fanless embedded system with LGA1151 9th/8th Gen Intel® Core™ i7/i5/i3 or Celeron® processor, Intel® Q370, DVI-I, HDMI, dual HDD, 4 PoE, 2 GbE LAN, 6 USB, 2 COM, and 24 VDC (PoE version, MXM module not supported)
eBOX671-521-FL-DC-6GbE (P/N: E36K671106)	Fanless embedded system with LGA1151 9th/8th Gen Intel® Core™ i7/i5/i3 or Celeron® processor, Intel® Q370, DVI-I, HDMI, dual HDD, 6 GbE LAN, 6 USB, 2 COM, and 24 VDC (GbE version, MXM module supported)

### Optional

2.5" SATA HDD	80GB or above
2.5" SATA SSD	100GB or above
DDR4 SO-DIMM	8GB to 32GB
mSATA	64GB or above
E29R129104	Wall mount kit
E29R129119	DIN-rail kit
	Wi-Fi/LTE module
E29R129127	ACC129-T1000-WT (W.T. NVIDIA RTX™ T1000 MXM module)(M3T1000-PN-A)
E29R129128	ACC129-T1000-STD (NVIDIA RTX™ T1000 MXM module)(M3T1000-PN)
509000001500	24V 120W power adapter
50906A24000E	24V 230W power adapter (for MXM/PoE use)
	Power cord
E392903102	AX92903 CAN Bus PCI Express Mini module
E392902103	AX92902 LAN PCI Express Mini module
590000048500	RS-232 cable, L=200 mm for COM3/4
592000000100	DIO cable_DB9_200 mm for optional 1 port 8-CH DIO (4-in/4-out) on flexible I/O window
E392905103	AX92905 audio PCI Express Mini module
E392918103	AX92918 dual LAN PCI Express Mini module

\* Specifications and certifications may vary depending on specific requirements.

---

## Packing List

- 1 x screw pack
- 4 x foot pad
- 1 x 3-pin terminal block connector
- 1 x remote power switch cable

---

## Power Protection

### DC Version

- OVP (over voltage protection)
- UVP (under voltage protection)
- OCP (over current protection)
- SCP (short circuit protection)
- Reverse protection

## Dimensions

