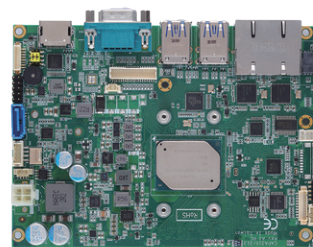
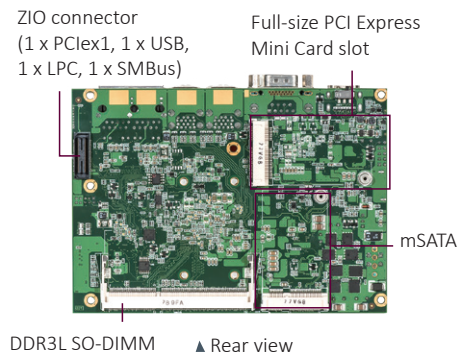
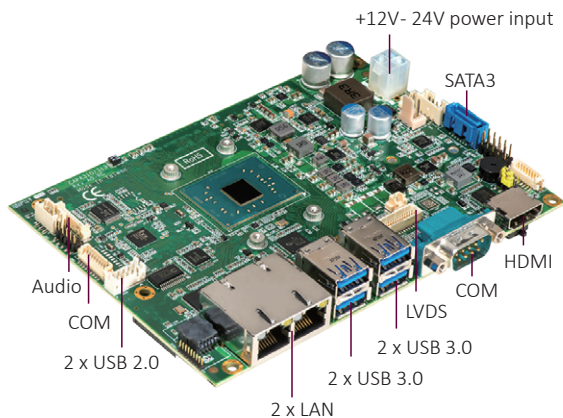
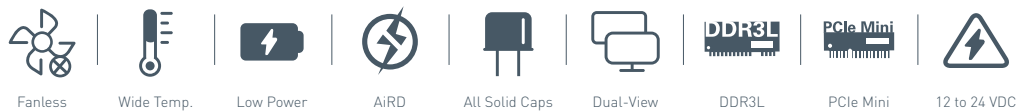


CAPA310

3.5" Embedded SBC with Intel Atom® x5-E3940 Processor, LVDS, HDMI, 2 GbE LAN and Audio



▲ Top view



Features

- Intel Atom® x5-E3940 processor
- 1 DDR3L SO-DIMM for up to 8GB of memory
- 2 USB 2.0 and 4 USB 3.0
- 1 PCI Express Mini Card slot
- ZIO connector

Specifications

Core System

CPU	Intel Atom® x5-E3940 processor onboard
System Memory	1 x 204-pin DDR3L-1867 SO-DIMM, up to 8GB
Chipset	SoC integrated
BIOS	AMI
SSD	1 x mSATA
Watchdog Timer	65536 levels, 1 to 65535 sec.

Specifications

Expansion Interface	1 x full-size PCI Express Mini Card slot 1 x USB 1 x PCIe x1 1 x LPC 1 x SMBus through a ZIO connector
Battery Lithium	Lithium 3V/220mAH
Power Input	2 x 2 pin connector +12V to 24 VDC-in AT Auto power on function supported
Power Requirements	Intel Atom® x5-E3940 @ 1.6 GHz 8GB DDR3L Max. RMS: +24V @ 0.8A

Display

Chipset	Intel® integrated Gfx graphic engine
Memory Size	Share system memory
Display Interface	1 x HDMI 1 x LVDS; 18/24-bit single/dual channel 1 x VGA (optional)

I/O

SATA	1 x SATA-600
Hardware Monitoring	Detect CPU/system temperature and voltage
Ethernet	2 x 10/100/1000 Mbps Ethernet with Intel® I210-AT; support Wake-on-LAN, PXE Boot ROM
Audio	HD Codec audio as MIC-in/Line-in/Line out with Realtek ALC888S
USB	2 x USB 2.0 4 x USB 3.0
Serial	2 x RS-232/422/485
TPM	ST ST33HTPH2X32AHD8 with TPM 2.0 compliant (optional)
SMBus	Yes
Others	1 x I ² C
Digital I/O	8-channel in/out programmed

Mechanical and Environmental

Dimensions	146 x 104 mm
Board Thickness	1.6 mm
Operating Temperature	-40°C to +80°C (-40°F to 185°F)
Relative Humidity	10% to 95% relative humidity, non-condensing

Ordering Information

Standard

CAPA310HGGA-E3940-ZIO (P/N: E38E310100)	3.5" embedded SBC with Intel Atom® x5-E3940 processor (1.6 to 1.8 GHz, 2MB Cache, 9.5W), HDMI, LVDS, 2 GbE LAN, audio, ZIO, and heatsink
--	--

Optional

CAPA310HGGA-E3940-ZIO w/TPM (P/N: E38E310104)	3.5" embedded SBC with Intel Atom® x5-E3940 processor (1.6 to 1.8 GHz, 2MB Cache, 9.5W), HDMI, LVDS, 2 GbE LAN, audio, TPM2.0, ZIO, and heatsink
59380880250E	COM port cable DB9-9 x 1-pin, P=1.25 mm, L=250 mm
594E8422800E	2 x USB 2.0 cable with bracket L=180 mm
E393A19100	AX93A19, SIM card slot board
59312260020E	Audio cable with bracket, P=1.25 mm, L=450 mm