

PANEL2127-671

12.1" TFT High Brightness Panel Computer

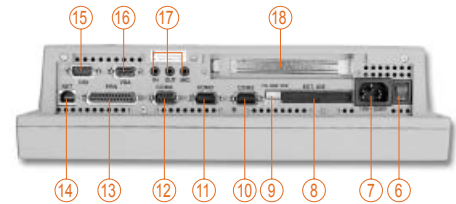


Features

- ▶ 12.1" TFT 250nit high brightness SVGA LCD
- ▶ NEMA 4/12 (IP65) -compliant front bezel
- ▶ Socket 370 for Intel® Celeron® / Pentium® III or VIA C3 processor
- ▶ Resistive type of touchscreen
- ▶ One half-size PCI card expansion
- ▶ Optional variable system stand or VESA FPMPMIRM to meet customized application environment



1. Brightness VR
2. EXT. FDD
3. PS/2 keyboard
4. PS/2 mouse
5. USB



6. Power switch
7. AC inlet
8. EXT. IDE
9. +5V / 12V Output
10. COM2
11. COM3
12. COM4
13. Parallel port
14. Ethernet (RJ-45)
15. Digital I/O port (PANEL2003-370 Only)
16. VGA port
17. Audio In, Out, MIC
18. Expansion outlet



60 degree stand
(with optional card reader)

90 degree stand



Wall mounting stand

Specifications

Material By LCD PANEL	Material	Plastic ABS
	LCD PANEL	12.1" TFT
	Brightness	250nit
	Resolution	800 x 600
	Color	256K
	Pixel Pitch	0.3075 x 0.3075 mm
Main System	Brightness	250 Nit
	Viewing Angle	90°
	Mainboard	SBC83671VEA
	CPU	ZIF socket type for Intel® Celeron® / Pentium® III or VIA C3 processor
	System Memory	One 168-pin DIMM socket up to 512MB SDRAM
	Chipset	VIA VT82C694T + 82C686B
	BIOS	Phoenix-Award 4Mbit with RPL / PXE LAN boot ROM, SmartView and customer CMOS backup
	Resolution	CRT mode: 1280 x 1024 @ 8bpp (60Hz) ; 1024 x 768 @ 16bpp (85Hz)

Onboard Graphics	Asiliant (C&T) 69000 2MB graphic memory
Serial Port	RS-232 x 3, RS-232 / 422 / 485 x 1 +5V/+12V power output capability by pin 1 and pin 8, selectable via jumper setting
Parallel	SPP / EPP / ECP Configurable to LPT1, LPT2, LPT3 or disable
PS/2 Interface	PS/2 mouse x 1, PS/2 keyboard x 1
DIO	4 channel bits of TTL/DTL compatible digital input / output
SSD	DiskOnChip® and CompactFlash™
Hard Disk Drive	Enhanced IDE interface 2.5" type
LAN	Realtek RTL8139C, 10/100Base-T with WOL
Watchdog Timer	0.5 ~ 1600 sec. with 64 levels; system reset or NMI

Specifications

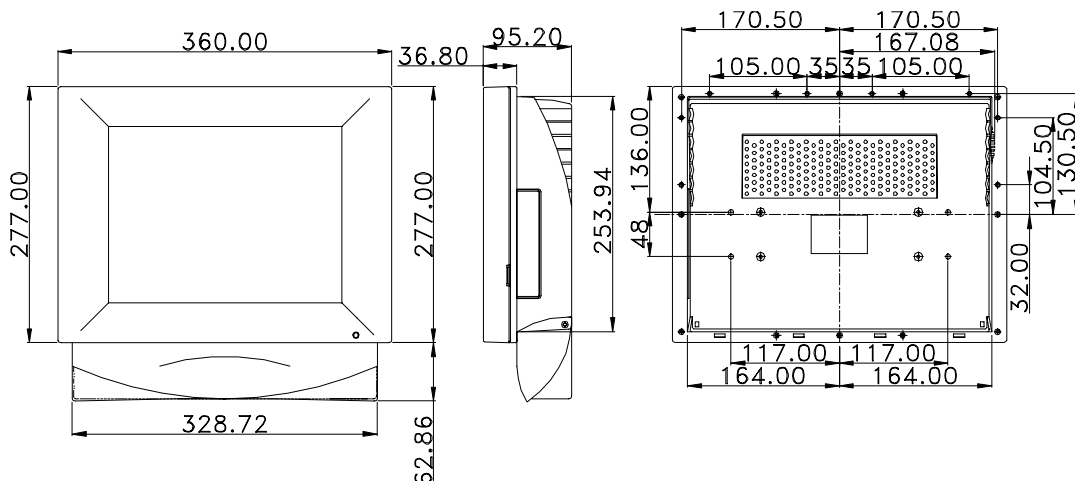
I/O Connectors	D-Sub 9-pin x 1 (male) for RS-232 / RS-422/RS-485 D-Sub 9-pin x 2 (male) for RS-232 D-Sub 25-pin x 1 (female) for parallel D-Sub 15-pin x 1 (male) for digital I/O PS/2 x 2 for keyboard and mouse RJ-45 x 1 for Ethernet Audio (Line in / Line out/MIC in) USB connector x 2, USB 1.0 compliant D-Sub 15-pin x 1 (female) for S-VGA output 40-pin connector for external IDE device 4-pin for external power (5V / 12V / GND) Centronic 26-pin 9 female for external floppy disk drive
Expansion Slot	PCI x 1
System Fan	4cm fan
Touchscreen	Resistive type
Power Supply	AC 100-230V, 100W; UL, c-UL, VDE certificated
Dimensions	14.17" (360mm) (W) x 3.74" (94.89mm) (D) x 10.91" (277mm) (H)
Environmental	Operation temperature range : 0°C-40°C (32°F-104°F) Relative humidity: 20% ~ 90%, non-condensing
Certification	CE

Ordering Information

PANEL2127-671	12.1" TFT high brightness panel computer w/ resistive touchscreen
---------------	---



Dimensions



Optional Accessories

3.5" floppy disk drive, 1.44MB
Compact card reader w/ PS/2 keyboard type interface & mounting bracket
30" stand
30" stand with built-in CD-ROM
60" stand
60" stand with built-in CD-ROM
90" & wall mounting stand
90" & wall mounting stand with built-in CD-ROM
VM-205 VESA arm wall-mount type
VM-201 VESA arm clamp type
Windows® CE.NET license
Windows® XP embedded license

Optional EOS Installation

Windows® CE.NET License
Windows® XP Embedded License