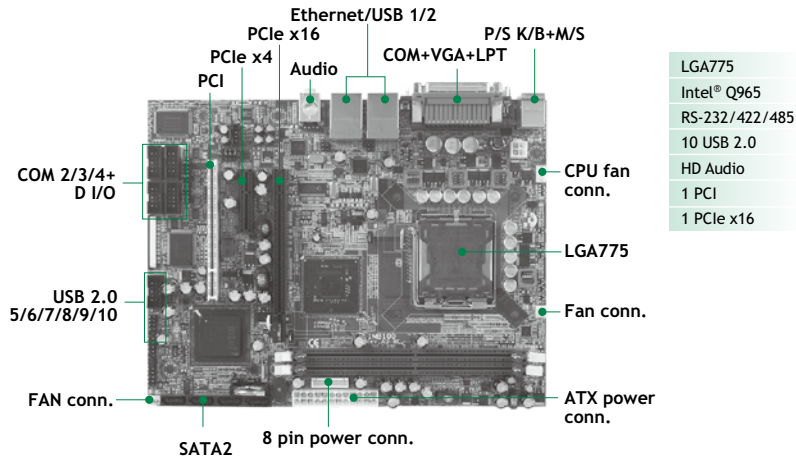


# IMB100

LGA775 Intel® Core™2 Duo Micro ATX Industrial Motherboard with Intel® Q965 + ICH8DO Chipset, Dual LANs and Audio



LGA775
Intel® Q965
RS-232/422/485
10 USB 2.0
HD Audio
1 PCI
1 PCIe x16

## Features

- LGA775 for Intel® Core™2 Duo/Pentium® D/ Pentium® 4/Celeron® processor with 533/800/1066 MHz
- Intel® Q965 + ICH8DO chipset
- 2 DDR2-533/667/800 DIMM support up to 2GB
- 4 Serial ATA ports support data transfer rate up to 3Gb/s with RAID 0, 1, 10 and 5



▲ Side view

## System

CPU	LGA775 socket for Intel® Core™2 Duo/ Pentium® 4/ Pentium®/ Celeron® D processors with FSB 533/800/1066 MHz
System Memory	2 x 240-pin DIMM support DDR2-533/667/800 max up to 4GB
Chipset	Intel® Q965+ICH8DO
BIOS	Phoenix-Award
SSD	N/A
Watchdog Timer	255 levels, 1-255 sec.
Expansion Interface	1 x PCIe x16 1 x PCIe x1 1 x PCI
Battery	Lithium 3V/220 mAH
Size	244 x 188 mm
Temperature	0° C - +60° C (32° F - 140° F), operation
Operation Humidity	10% - 95% relative humidity, non-condensing

## I/O

MIO	1 x FDD 1 x PS/2 keyboard 1 x PS/2 mouse 1 x LPT; with SPP/EPP/ECP supported 3 x RS-232 (COM 2/3/4) 1 x RS-232/422/485 (COM 1)
SATA	4 x SATA-300 with RAID 0/1/10/5
Hardware Monitoring	Detect CPU/system temperature, voltage and fan speed
Ethernet	2 ports as 10/100/1000Mbps support Wake-on-LAN, RPL/PXE Boot ROM with Realtek RTL8111B
Audio	HD Codec audio as MIC-in/ Line-out/ Speaker-out with Realtek ALC888
USB	10 x USB 2.0 ports
SMBus	N/A
Digital I/O	8 channels IN/OUT programmable

## Display

Chipset	Intel® GMA X3000 graphics Core
Memory Size	Intel® DVM T 4.0 compliant
Display Interface	1 x VGA

## Packing List

Standard		
Quick installation guide, user's manual/utility CD, cable		
Cable		
Part Number	Description	IMB100VGGA Qty
59380402010E	COM port cable w/ bracket	1
593826A0000E	SATA signal cable L=500mm	1
593836A0030E	SATA power cable L=150mm	1

## Ordering Information

Optional	
IMB100VGGA	LGA775 socket Micro ATX industrial M/B (P/N: E38F100100) with VGA, 2 10/100/1000Mbps and audio
593836A0030E	4-pin power cable to SATA x 2, L=150mm
5938A808010E	2 x USB port cable, L=190mm