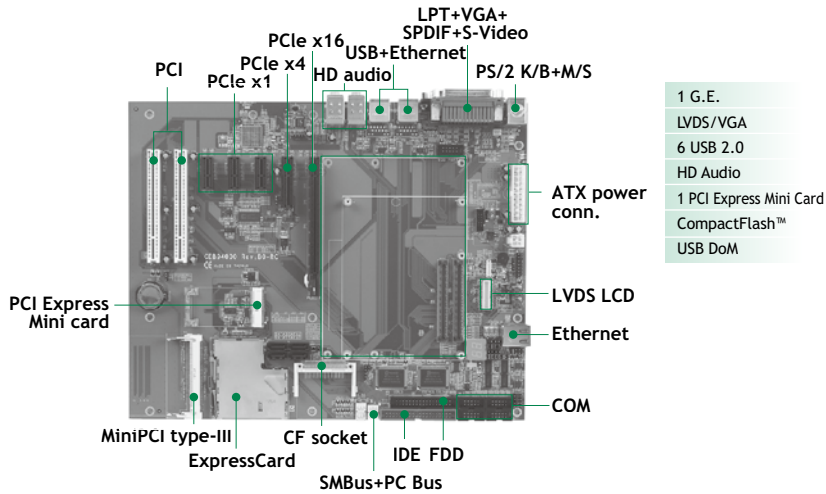


CEB94000

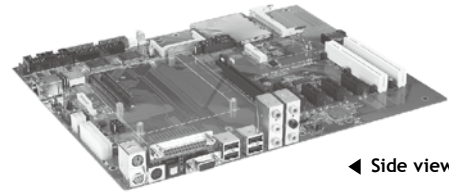
COM Express™ Type 2 Development Baseboard



1 G.E.
LVDS/VGA
6 USB 2.0
HD Audio
1 PCI Express Mini Card
CompactFlash™
USB DoM

Features

- Standard ATX form factor for development purpose
- 1 PCIe x16, 1 PCIe x4, 3 PCIe x 1 and 2 PCI slots
- 1 ExpressCard, 1 PCI Express Mini Card and 1 MiniPCI



System

CPU	COM Express™ type 2 basic or extended module
System Memory	On the module
Chipset	On the module
BIOS	On the module; optional socket on the baseboard
SSD	N/A
Watchdog Timer	255 levels, 1-255 sec.
Expansion Interface	1 x PCIe x16 slot for graphics and SDVO ADD2+ card 1 x PCIe x4 or 3 x PCIe x1 slot 2 x 32-bit/33MHz PCI slot 1 x ExpressCard slot 1 x PCI Express Mini Card socket 1 x MiniPCI type-III socket
Battery	Lithium 3V/196 mAH
Size	305 x 244 mm
Board Thickness	1.6 mm
Temperature	0°C ~ +60°C (32°F ~ 140°F), operation
Relative Humidity	10% ~ 95% relative humidity, non-condensing

I/O

MIO	1 x IDE; PATA-100 1 x FDD 1 x PS/2 keyboard 1 x PS/2 mouse 1 x RS-232 (COM 2) 1 x RS-232 (COM 1) 1 x LPT; with SPP/EPP/ECP supported 1 x IrDA
SATA	4 x SATA
Hardware Monitoring	Supported by CPU module
Ethernet	1 x RJ-45 for 10/100/1000Mbps
Audio	HD Audio with rear surround/side surround/sub woofer, Line-in/line-out/MIC-in and SPIF
USB	6 x USB 2.0
SMBus	System Management Bus for advanced monitoring/control interface
Port 80 Display	Dual 7 segments Port 80 display for convenient debugging purpose through LPC interface
Display	1 x S-Video (depending on CPU module) 1 x LVDS LCD interface 1 x CRT D-Sub connector

Packing List

Standard		
Quick installation guide, user's manual/utility CD, cable		
Cable		
Part Number	Description	Qty
59382601000E	Ultra DMA66 IDE cable 40-pin 455mm	1
593826A0000E	SATA signal cable 500mm	2
59381400000E	FDD cable, P=2.54, L=300mm	1
59380703000E	COM port x 2 w/ bracket	1

Ordering Information

Standard	
CEB94000VEA (P/N: E394000100)	COM Express™ baseboard with ExpressCard, PCI Express Mini Card, MiniPCI, 1 x RJ-45 and multiple I/O features
Optional	
CEM850VG	COM Express™ baseboard with socket P and 10/100/1000Mbps
CEM830VG	COM Express™ SoM with socket M and 10/100/1000Mbps
CEM820VG	COM Express™ SoM with socket 478 and 10/100/1000Mbps
CEM831VG	COM Express™ SoM with Intel® Atom™ processor N270 and 10/100/1000Mbps
PK95300	LVDS-to-TTL 18-bit LCD converter for Hirose DF9-31P-1V
PK95301	LVDS-to-TTL 18-bit LCD converter for Hirose DF9-41P-1V
AX93221	LVDS-to-DVI converter
AX93218L	ADD2+ card for LVDS LCD
AX93218D	ADD2+ card for DVI-D